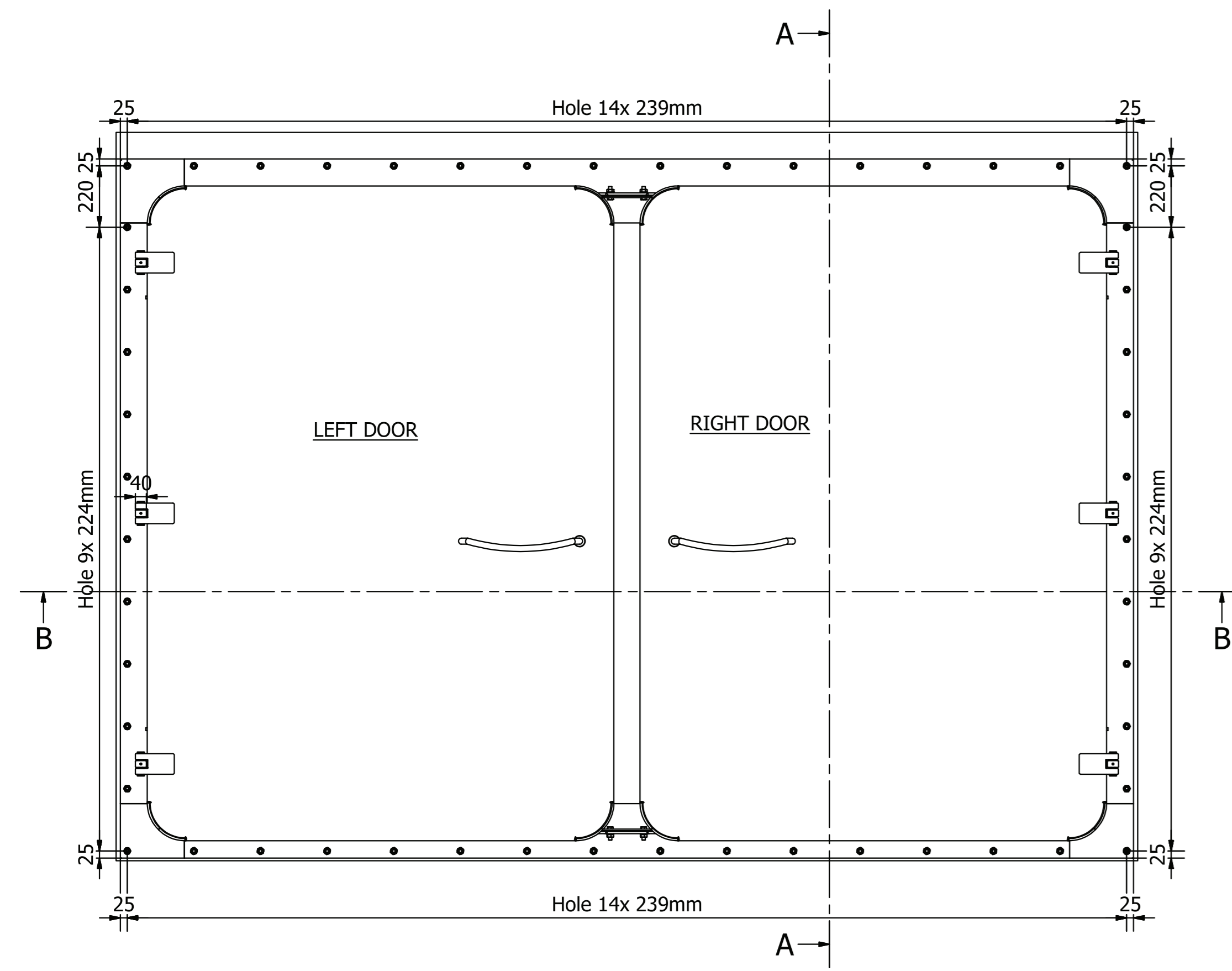
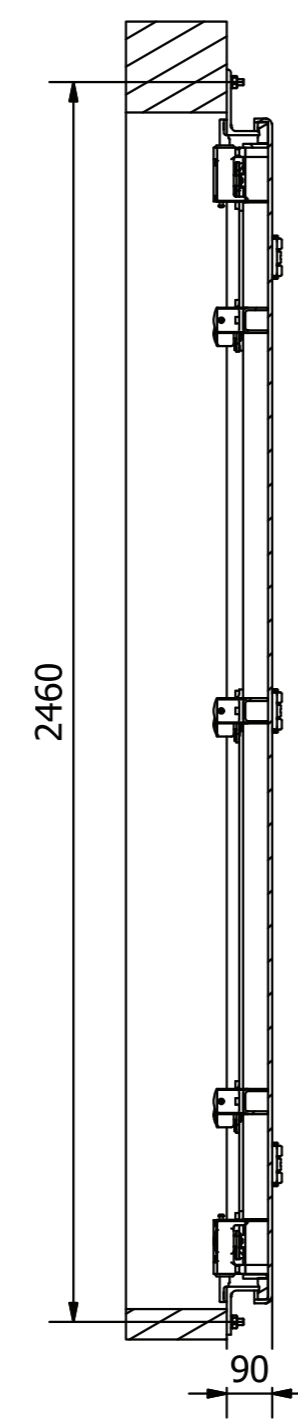


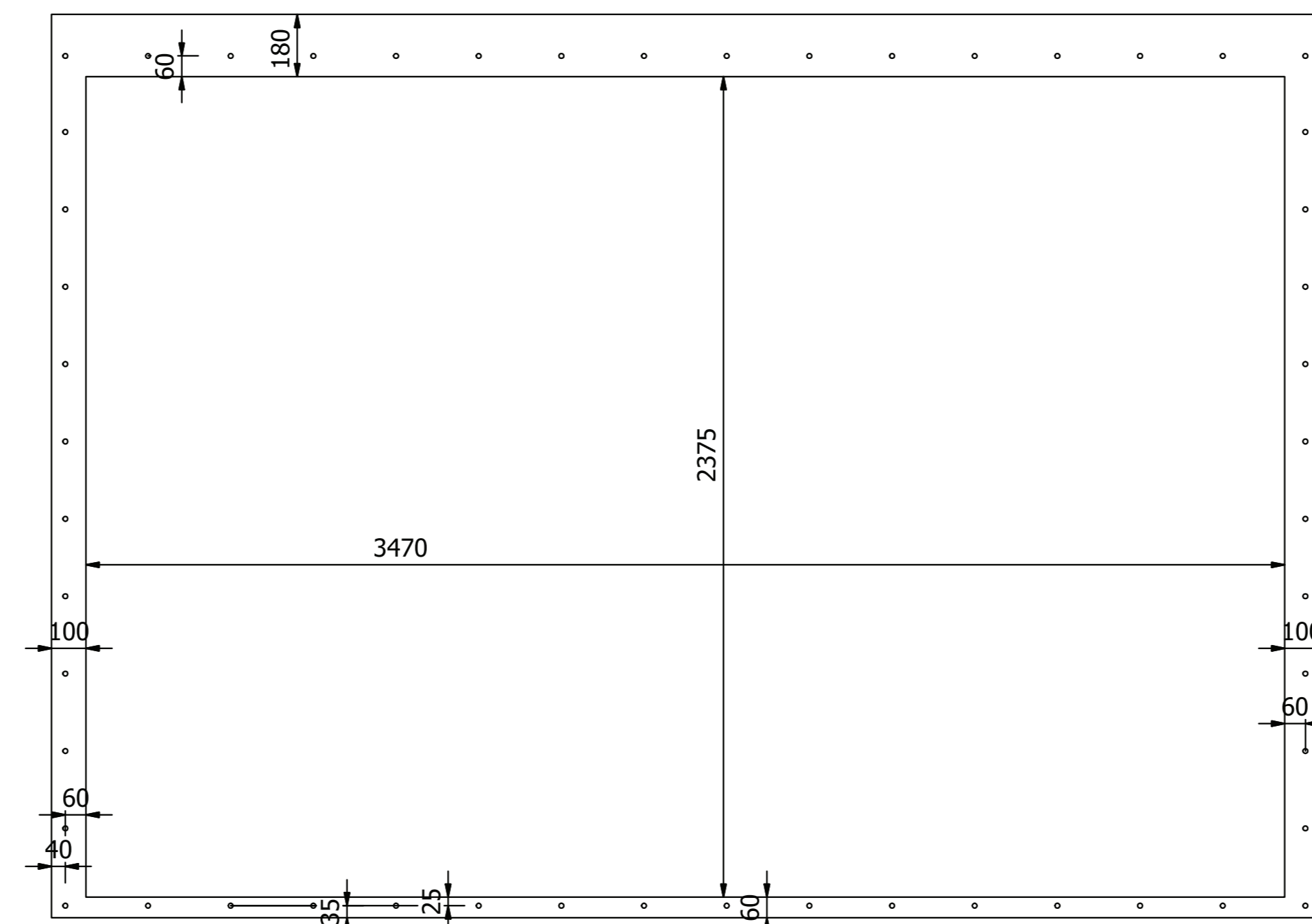
VIEW ON FRAME AND CONCRETE WALL



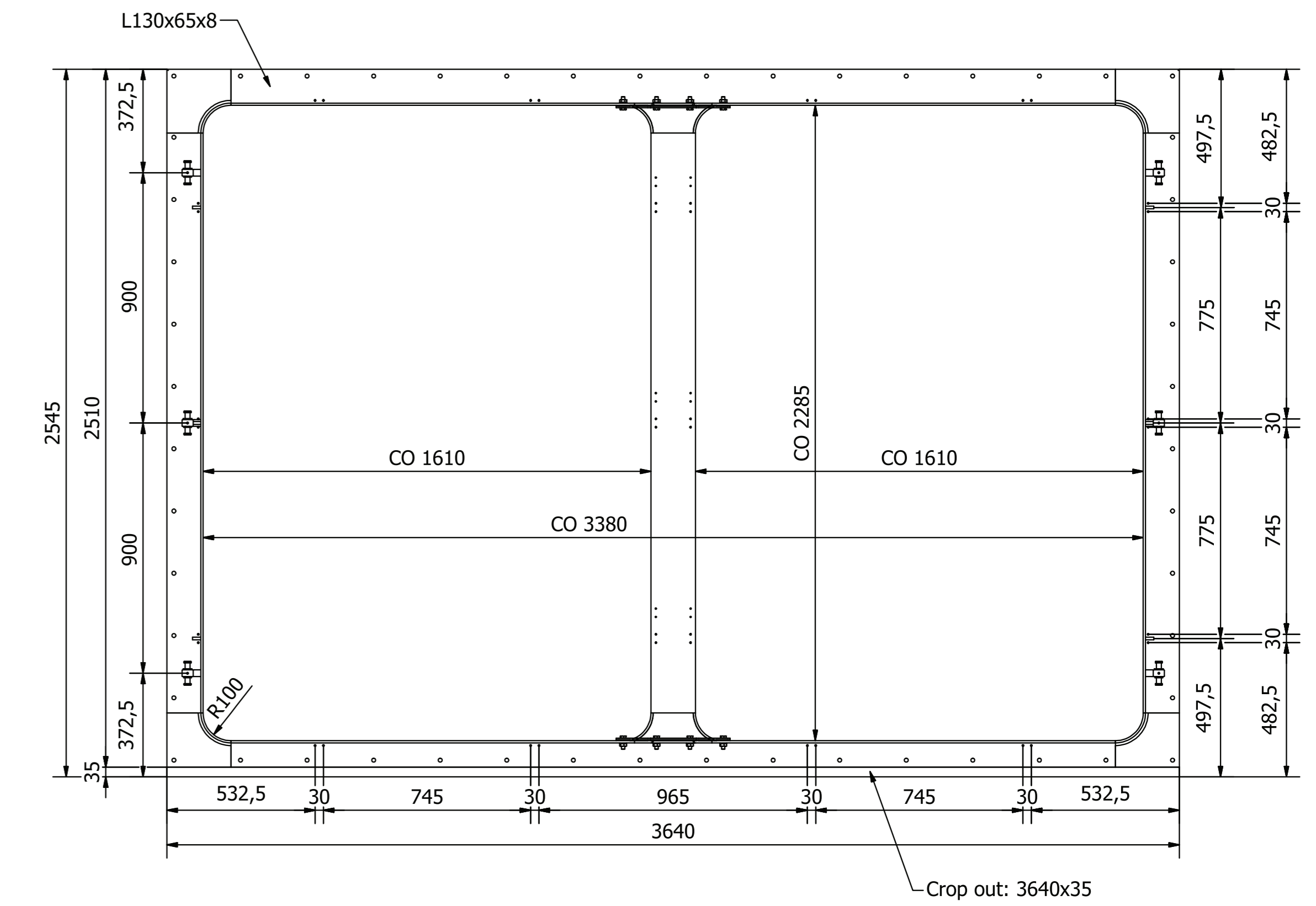
SECTION A-A



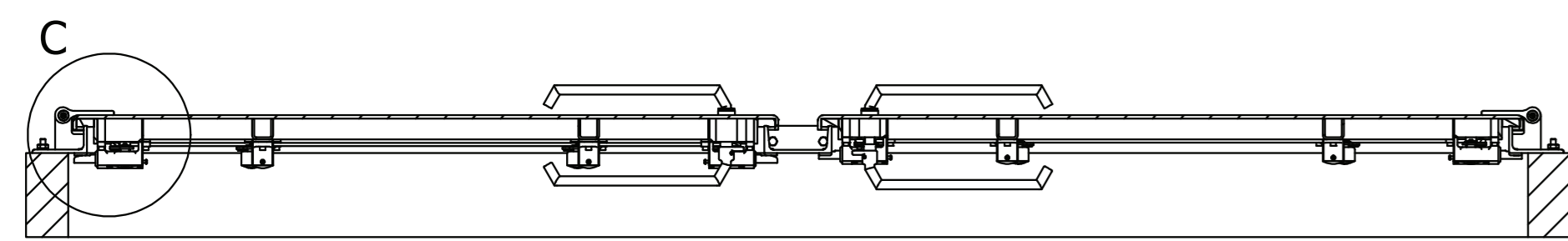
CONCRETE WALL



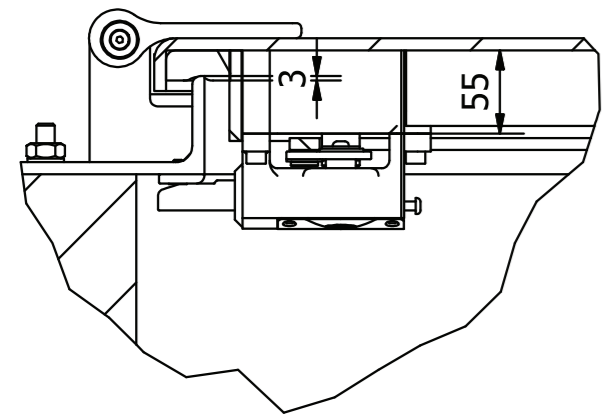
VIEW ON SURROUNDING DOOR FRAME



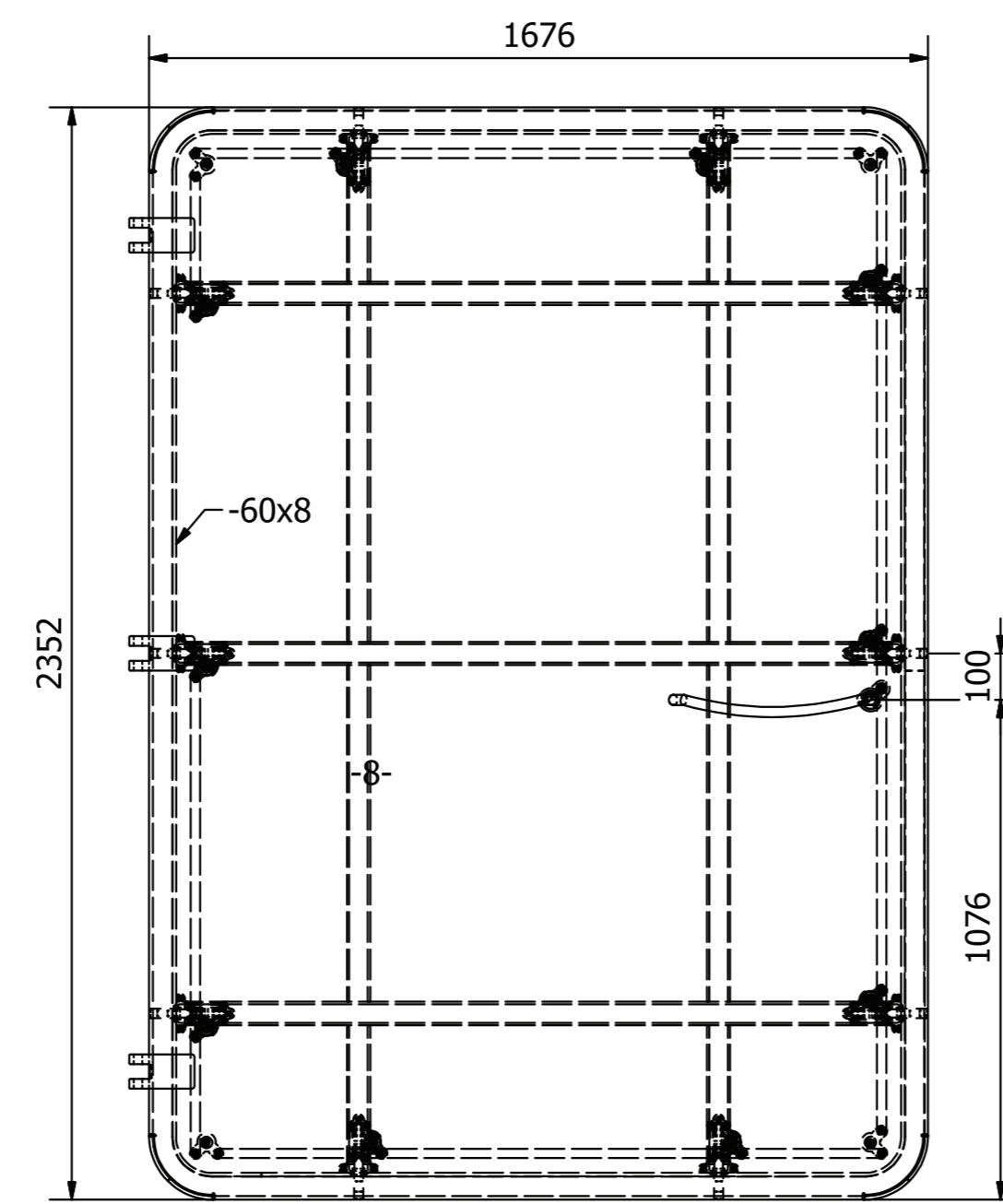
SECTION B-B



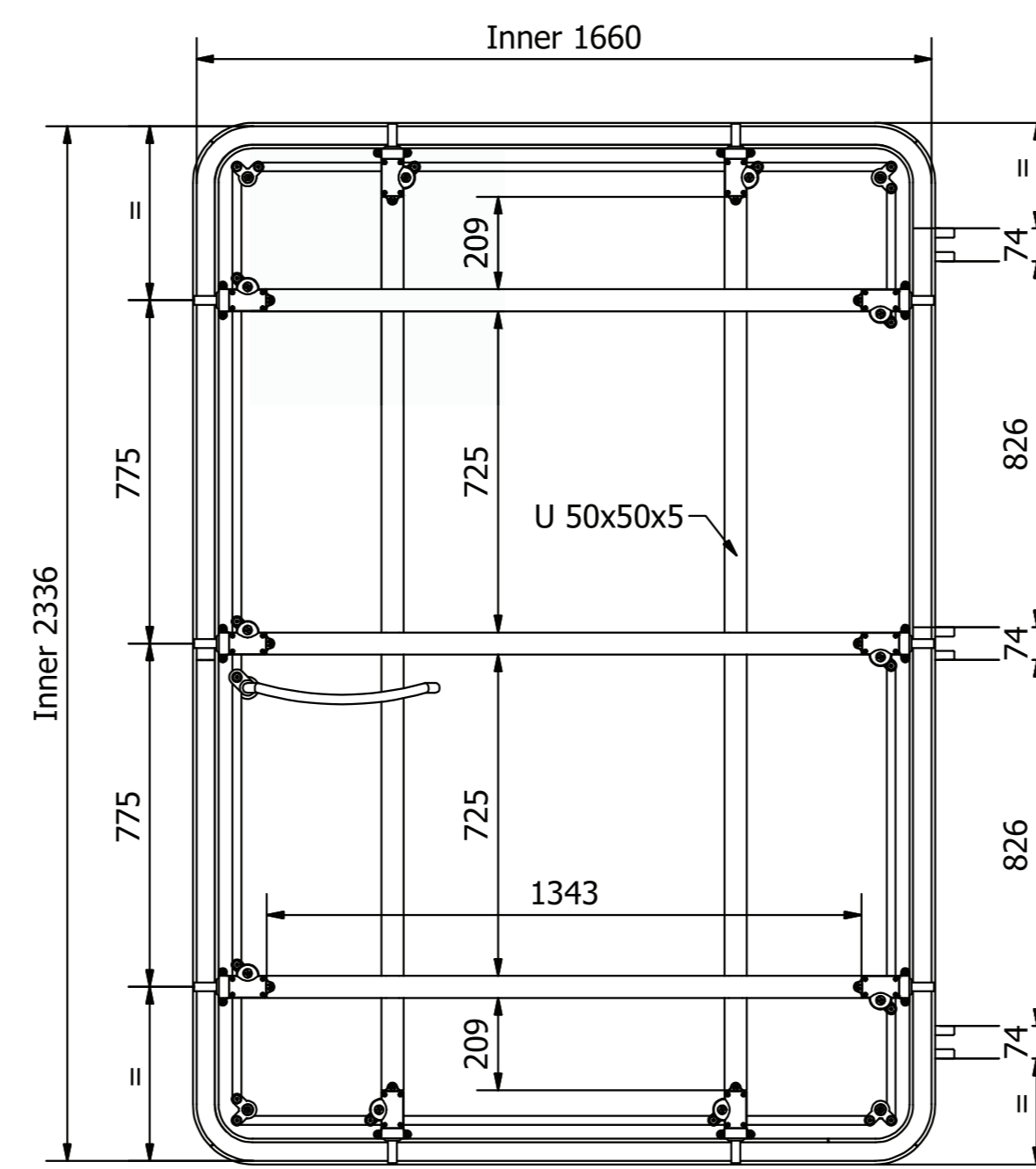
Detail View C (1:5)



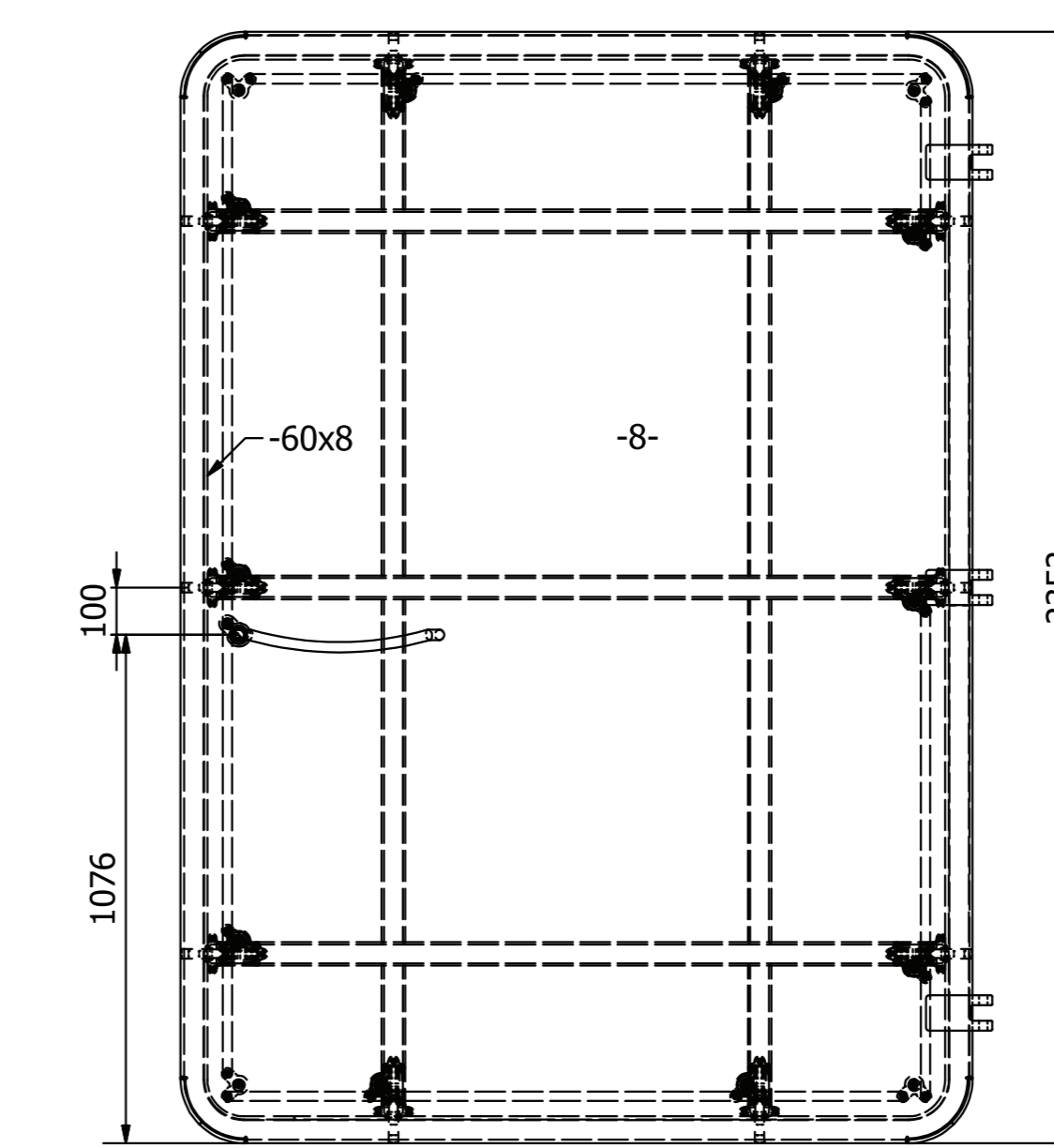
OUTSIDE VIEW LEFT DOOR



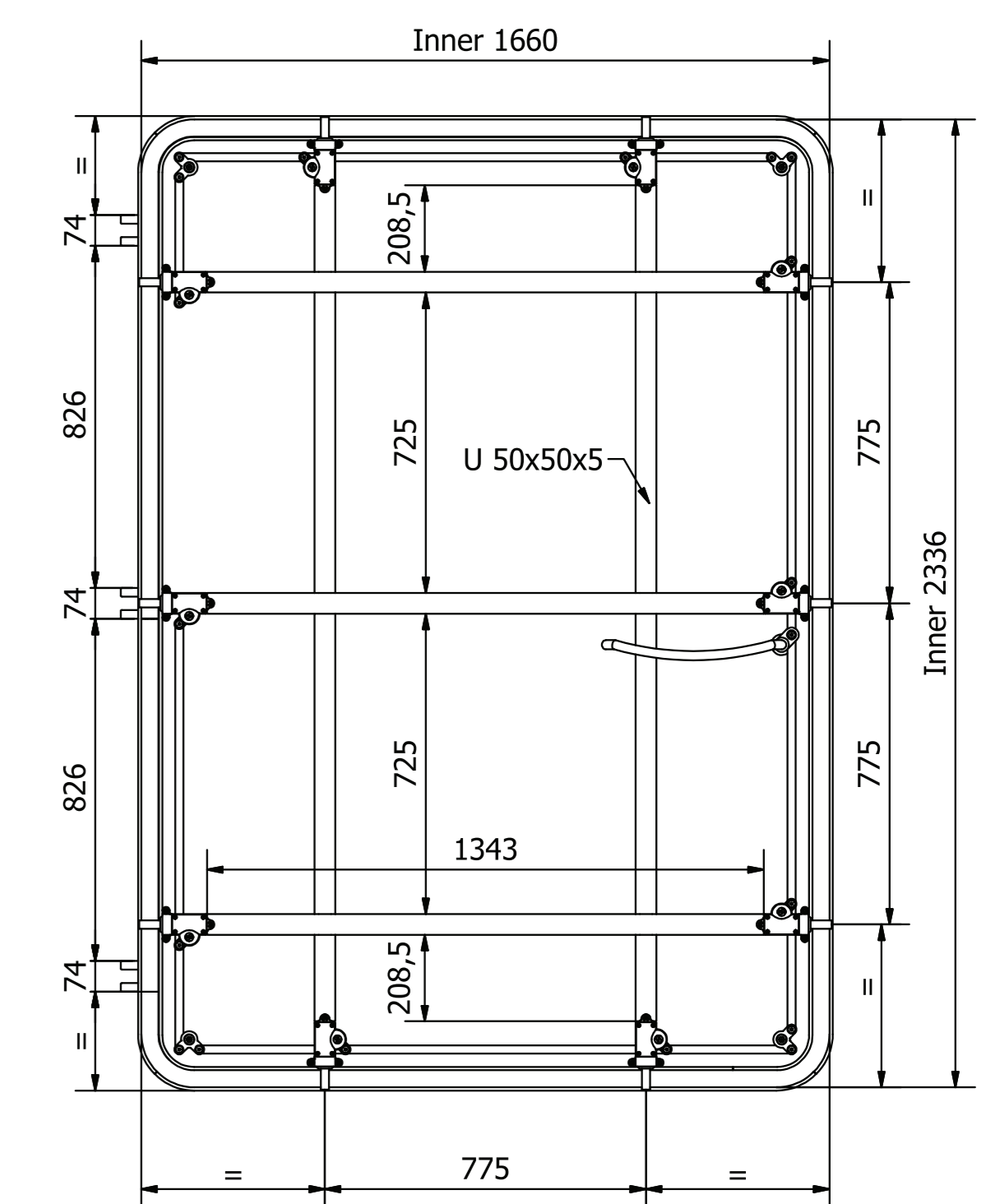
INSIDE VIEW LEFT DOOR



OUTSIDE VIEW RIGHT DOOR



INSIDE VIEW RIGHT DOOR



C				
B				
A	29-09-2011	Knevel-verbinding toegevoegd		
Rev.:	REV. DATE:	REVISION SUBJECT		
Date:	27-9-2011			
Drawn:	hans			
Scale:	1:15			
Status:	WorkInProgress	Vandkraft - Kampplan 9, 97225G Groningen, The Netherlands		
Call:	T +31 (0)50 230 60 46			
Project:	www.vandkraft.nl - sales@vandkraft.nl - KvK 02001844			
Title:				
	-2	B-S-06		
Mat:	Dwg.nr:	15901.5	Revision:	Sheet:
			1	Format:
				A0