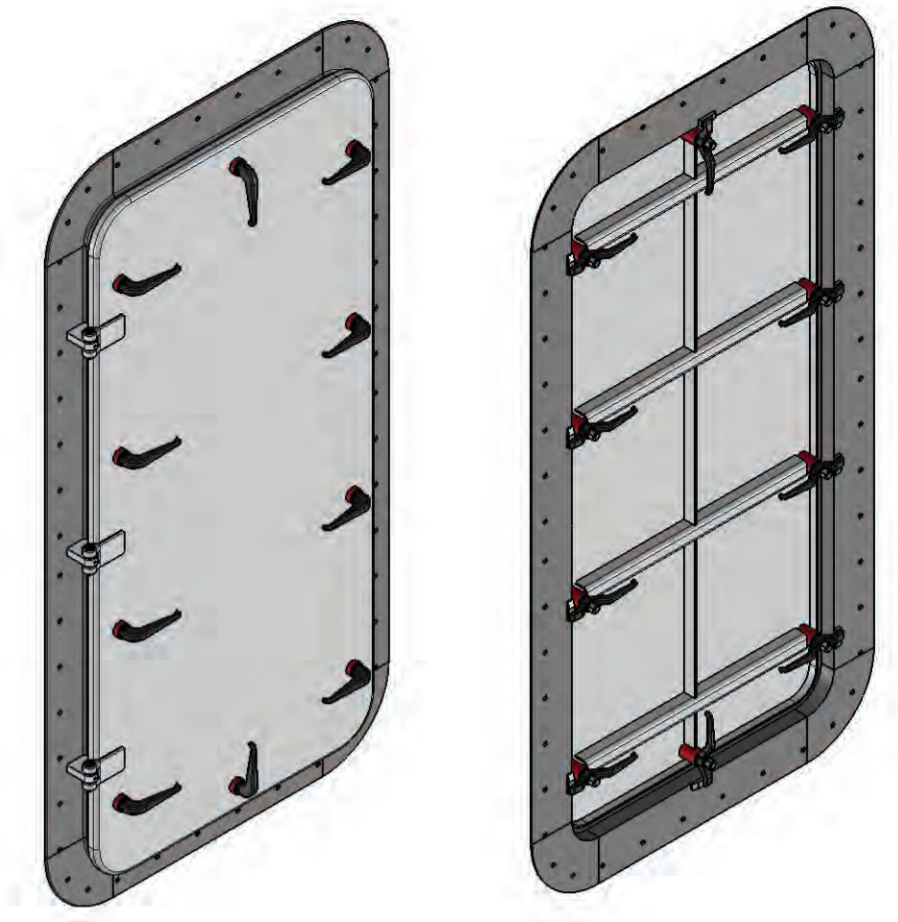
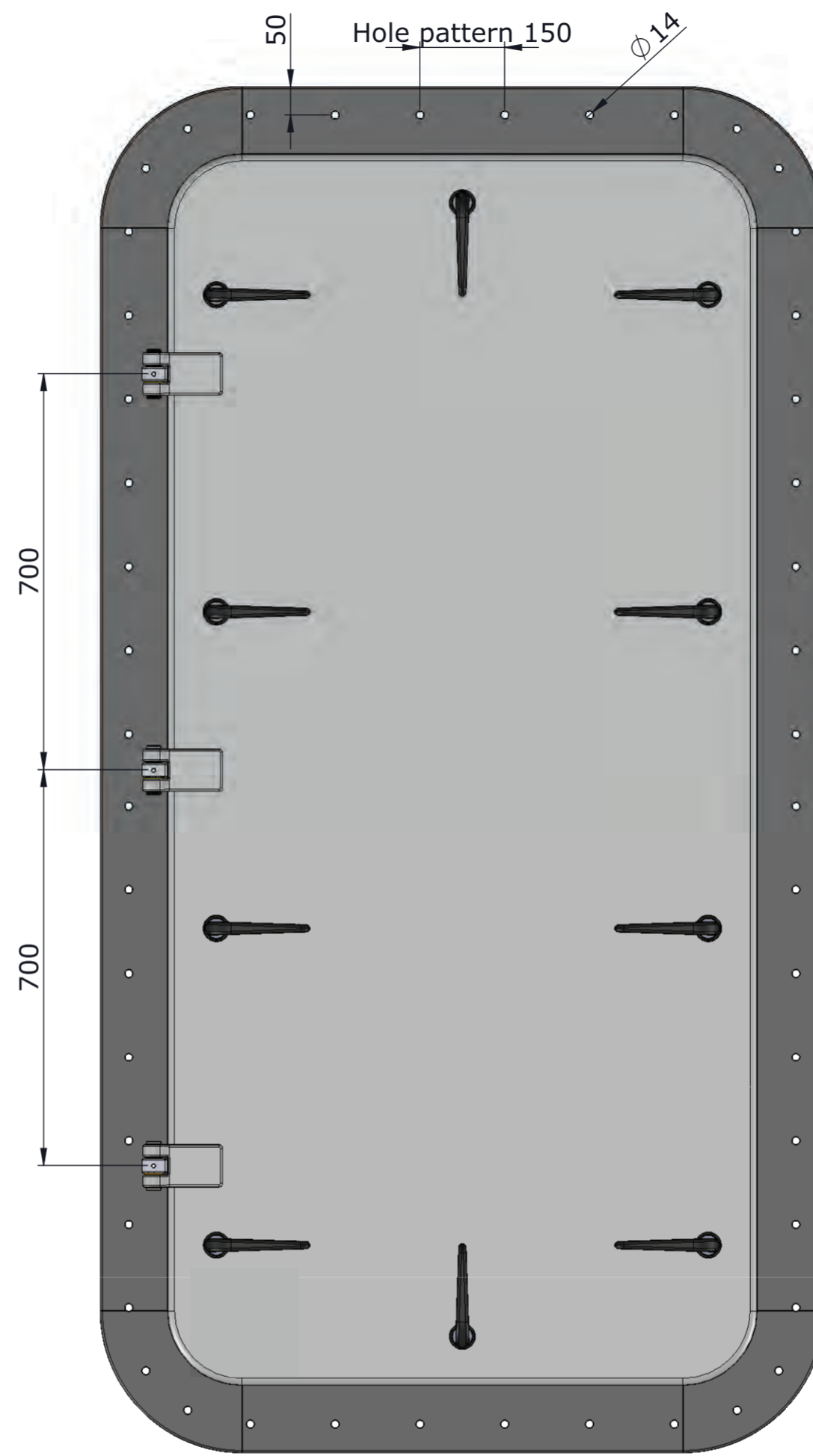
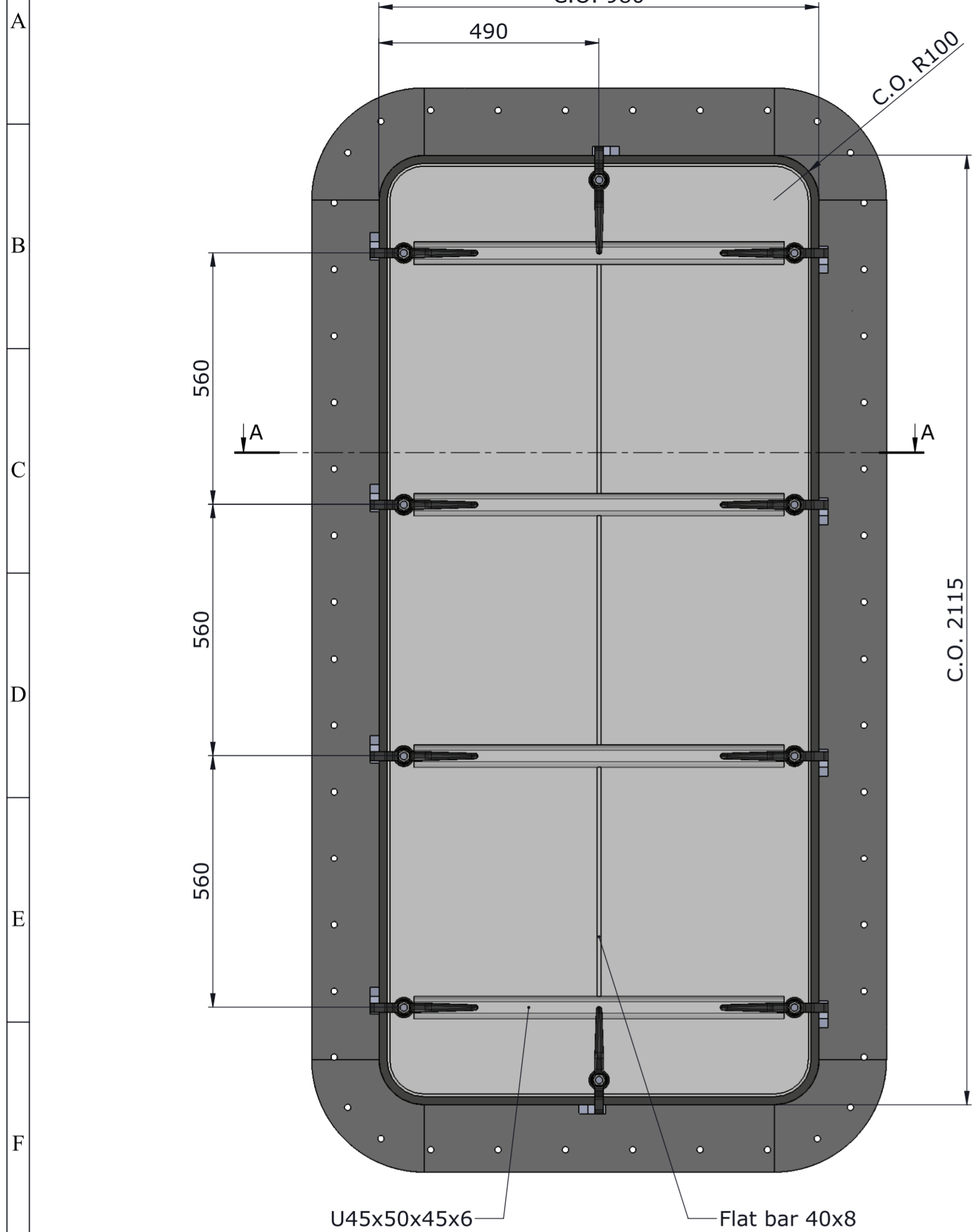


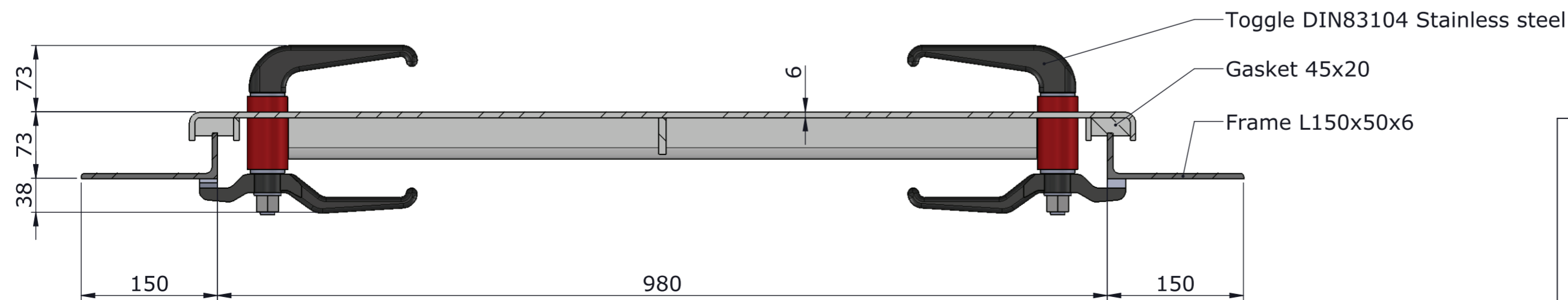
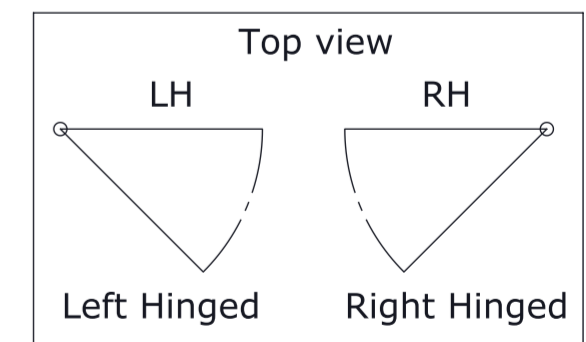
# WEATHERTIGHT DIN CLIPS DOOR



SCALE 1 : 20

Steel door & Frame  
 DIN83104 Stainless steel Toggles  
 Color door/ frame : RAL 9010

Client : Interbuild Willemen  
 Project : Artesis Hogeschool Campus Noord  
 ordernr.: 1864



SECTION A-A  
SCALE 1 : 5

		<b>VANDKRAFT</b>	
		Vandkraft - Kamplaan 9, 9722SG Groningen, The Netherlands T +31 (0)50 230 60 46 www.vandkraft.nl - sales@vandkraft.nl - KvK 02001844	
		DRAWING DESCRIPTION: Weathertight DIN clips DOOR	
REV. No.	DATE	DRAWN BY: PW	DRAWING NUMBER: TM-WTD-DC10 /A
		DATE: 26-02-2015	SCALE: 1:10
		SHEET No: 1	SIZE: A2
		TOTAL SHEETS: 1	
© "This drawing and the design and information it presents are the exclusive intellectual property of Argus Engineering and may not be copied, not communicated to any third party without written consent"			