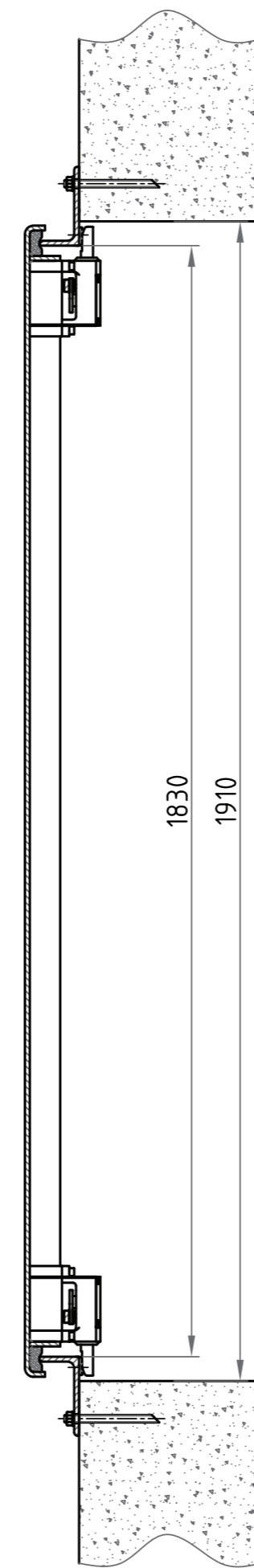
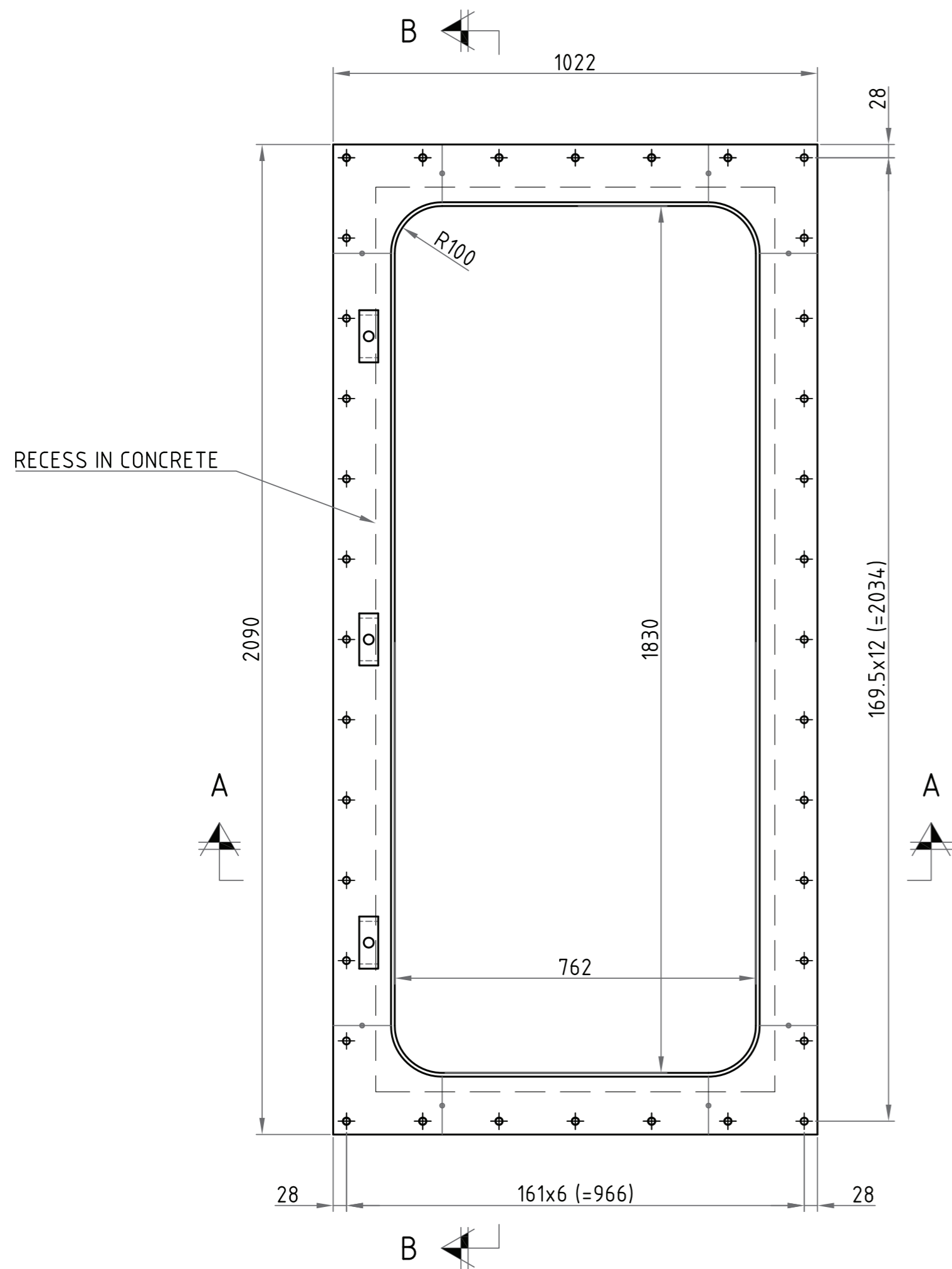
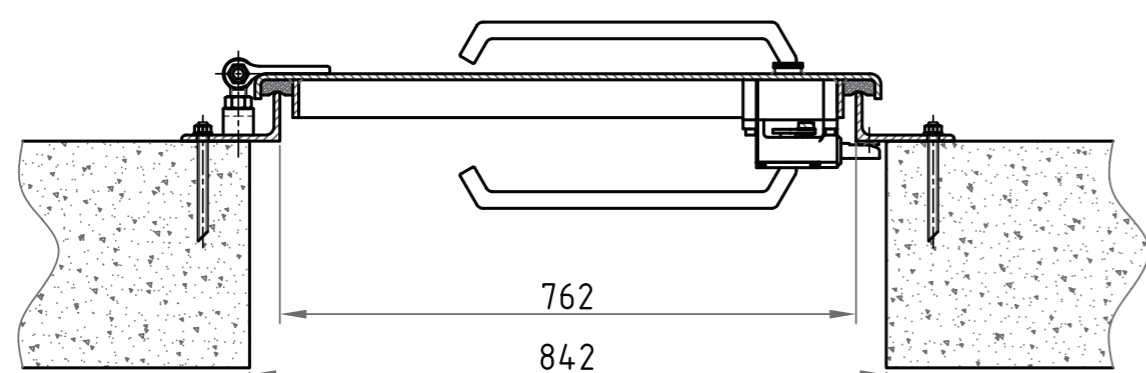


FRAME

SECTION B-B



SECTION A-A



rev.	date	name	checked	revision subject

approved	date

VANDKRAFT

Vandkraft - Kamplaan 9, 9722SG Groningen, The Netherlands
 T +31 (0)50 230 60 46
 www.vandkraft.nl - sales@vandkraft.nl - KvK 02001844

This drawing and design is protected by copyright and the information is confidential. It is also protected and registered under Dutch laws through the Dutch government department for Taxes. The drawing and/or models may not be copied, reproduced, duplicated or disclosed to others, in whole or in part without prior written consent of Thormarine b.v./the Netherlands.

WT DOOR IN CONCRETE WALL
 MNO VERVAT

Drawn : BCS	Scale : 1:10	Drawingnumber:	Rev.:
Date : 25-10-2013	Checked : -	18641.2	-
ACAD Drawing not to be revised manually			