

►► Rectangular Pressure-Tight Door TT7-30 With Central Lock

Made from stainless steel

Applicable as access for containers, especially in the field of water supply and for stormwater overflow tanks.

Pressure-tight door, pressure-tight up to a water gauge of 30 m, opening to the pressure side, ready for installation, rectangular, completely made from 1.4571/1.4404 stainless steel, statically certified to:

- DIN EN 1991 EC1 Actions on structures
- DIN EN 1992 EC2 Reinforced and prestressed concrete structures
- DIN EN 1993 EC3 Steel structures
- DIN EN 1995 EC5 Timber structures
- DIN EN 1996 EC6 Masonry structures
- DIN EN 1997 EC7 Geotechnics

DVGW work sheet W 300: Water storage – planning, construction, operation and maintenance of water reservoirs for drinking water supply German DAfStb Guideline, "Water Impermeable [...] Structures Made of Concrete"

Door, curved convey design with frame reinforcements to ensure that the acting pressure forces can pass into the door frame via the circumferential frame. Door with replaceable, non-ageing special rubber seal. KTW and DVGW W270 certified.

These doors are supplied with a central lock operable from both sides.

Frame, circumferential with one centre and two side gaskets. Suitable to be lined on both sides (wall thickness ≥ 300 mm). Frame with lifting eyes.

Frame and door shielded arc-welded and acid bath cleaned before washing, drying and surface passivation.

Note: Guarantee for tightness between the frame and concrete is only provided if the concrete structure is homogeneous all around the circumference.

Ordering options:

Door opening options:

- Hinges on left
- Hinges on right

Special design:

- Pressure-tight up to 30 m water column

For non-standard items, please consult HUBER Berching.

- Frame for retrofitting. Space requirements for the frame: 180 mm, circumferential frame on four sides. Prerequisite is a plane inner wall surface, tolerance: ± 1 mm per metre, minimum required concrete strength class is C25/30, BSt 500 S/M (A).

Nominal Size	Pressure door for embedding in concrete Clear door opening width B / height H	Pressure door for embedding in concrete Frame outside dimension width C / height D	Pressure door for retrofitting Clear door opening width B / height H	Pressure door for retrofitting Frame outside dimension width C / height D
0800/0800	800 / 800	1190 / 1190	800 / 800	1132 / 1132
0800/1200	800 / 1200	1190 / 1590	800 / 1200	1132 / 1532
0800/1600	800 / 1600	1190 / 1990	800 / 1600	1132 / 1932
0800/1800	800 / 1800	1190 / 2190	800 / 1800	1132 / 2132
1000/2000	1000 / 2000	1390 / 2390	1000 / 2000	1332 / 2332
1200/2200	1200 / 2200	1590 / 2590	1200 / 2200	1532 / 2532

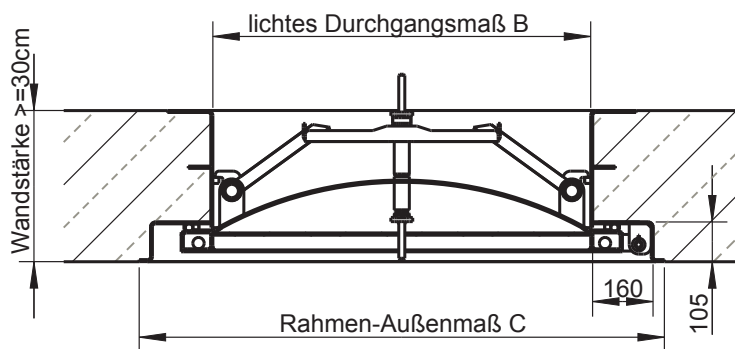
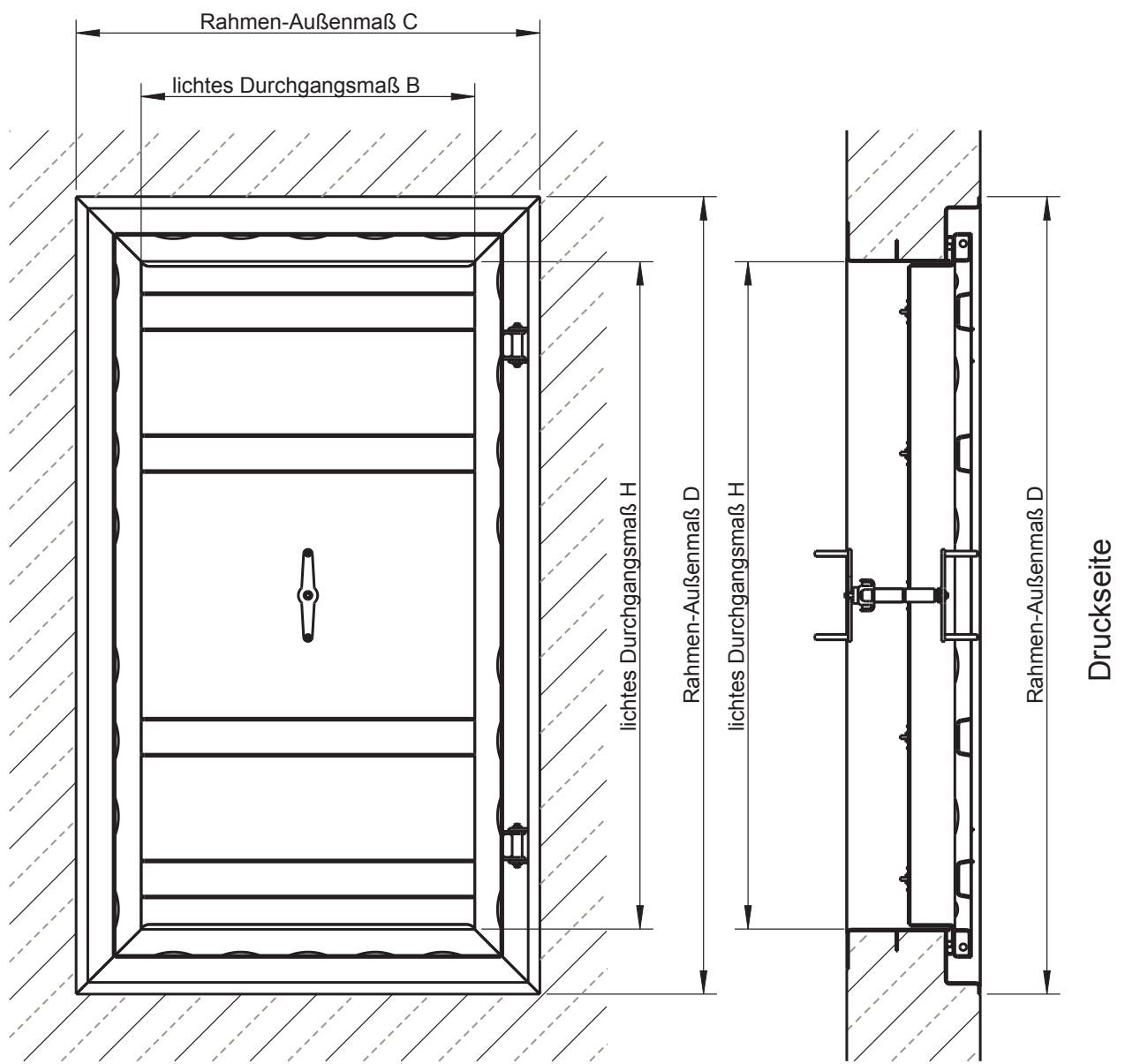
Ask for further dimensions. All measurements in mm.

HUBER SE

Industriepark Erasbach A1 · D-92334 Berching
Phone: + 49 - 84 62 - 201 - 0 · Fax: + 49 - 84 62 - 201 - 810
info@huber.de · Internet: www.huber.de

Technische Änderungen vorbehalten
Ident.-Nr. 50064150-2, 50064150-3, 8.2015

Rectangular Pressure-Tight Door TT7-30
With Central Lock



Druckseite

Lichte Durchgangsbreite (B)	Lichte Durchgangshöhe (H)	Rahmen-Außenmaß (C)	Rahmen-Außenmaß (D)
80 cm	80 cm	119,0 cm	119,0 cm
80 cm	120 cm	119,0 cm	159,0 cm
80 cm	160 cm	119,0 cm	199,0 cm
80 cm	180 cm	119,0 cm	219,0 cm
100 cm	200 cm	139,0 cm	239,0 cm
120 cm	220 cm	159,0 cm	259,0 cm

Diese Zeichnung ist geistiges Eigentum der Fa. HUBER SE und damit urheberrechtlich geschützt. Zuwiderhandlungen verpflichten zum Schadensersatz.
This is a copyrighted drawing which is the intellectual property of HUBER SE.
Any contravening offender will be held liable for payment of damages.

HUBER
TECHNOLOGY

WASTE WATER Solutions
D-92334 Berching / Tel.: +49-8462-201-0

Technische Änderungen vorbehalten / Subject to change

ISO 2768-mK

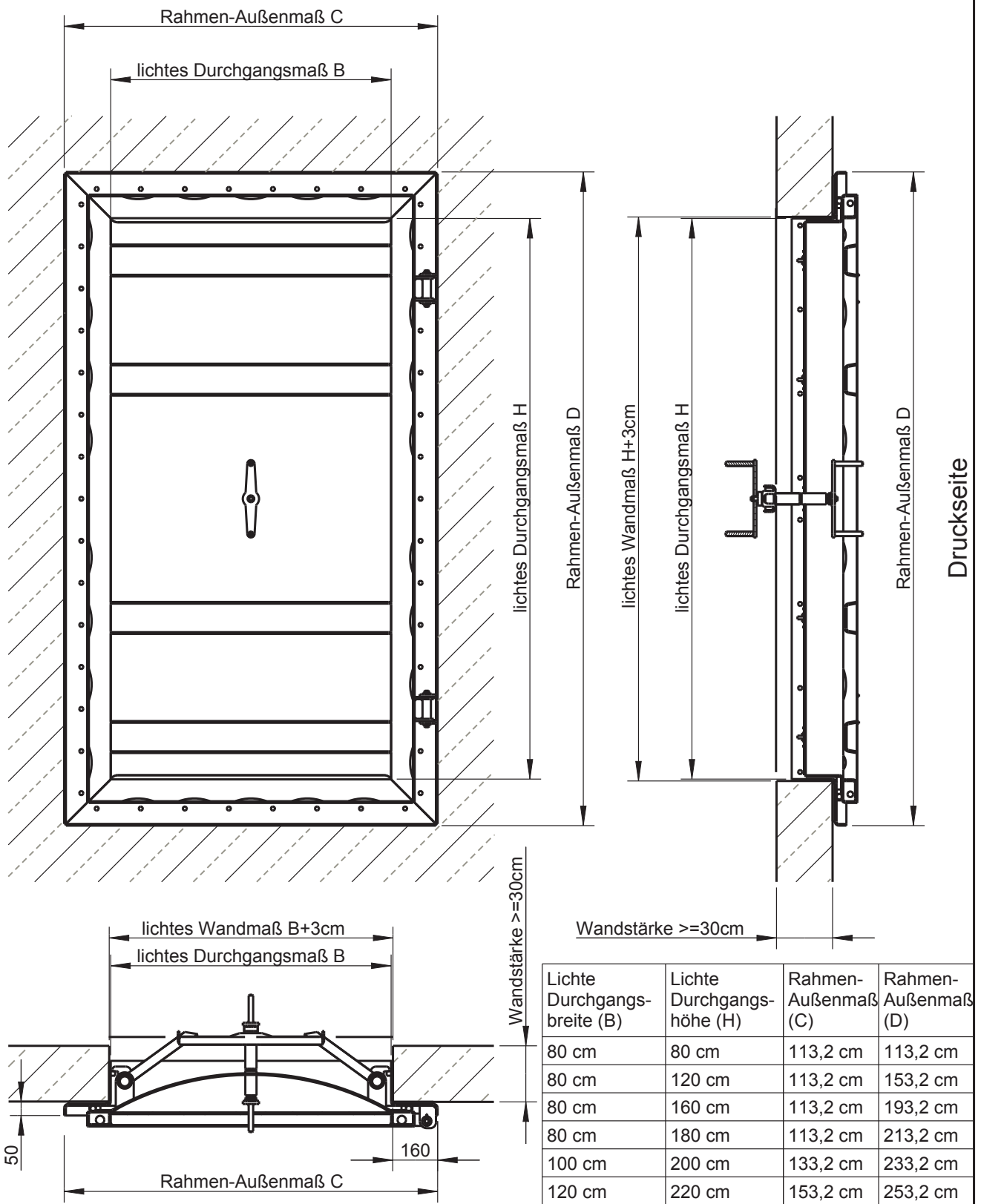
Revi-sion	Änderung Modification	Tag Date	Name	Norm.	Datum/Date	Name
-	-	-	-	-	Bear./Rev. 06.03.2014	gbe
-	-	-	-	-	Gepr./Appr. II	II
-	-	-	-	-		

TT7.30 Drucktür zum Einbetonieren

TT7.30 pressure door

Maßblatt

Projekt project	Dimension Sheet	Masstab scale	Nummer number	Blatt sheet
		1:20	50064150	2/3



Lichte Durchgangsbreite (B)	Lichte Durchgangshöhe (H)	Rahmen-Außenmaß (C)	Rahmen-Außenmaß (D)
80 cm	80 cm	113,2 cm	113,2 cm
80 cm	120 cm	113,2 cm	153,2 cm
80 cm	160 cm	113,2 cm	193,2 cm
80 cm	180 cm	113,2 cm	213,2 cm
100 cm	200 cm	133,2 cm	233,2 cm
120 cm	220 cm	153,2 cm	253,2 cm

Druckseite

Diese Zeichnung ist geistiges Eigentum der Fa. HUBER SE und damit urheberrechtlich geschützt. Zuwiderhandlungen verpflichten zum Schadensersatz.
This is a copyrighted drawing which is the intellectual property of HUBER SE.
Any contravening offender will be held liable for payment of damages.

HUBER
TECHNOLOGY

WASTE WATER Solutions
D-92334 Berching / Tel.: +49-8462-201-0

Technische Änderungen vorbehalten / Subject to change

ISO 2768-mK

Revi- sion	Änderung Modification	Tag Date	Name	Norm.	Datum/Date	Name
-	-	-	-	-	Bear./Rev. 06.03.2014	gbe
-	-	-	-	-	Gepr./Appr. II	II

TT7.30 Drucktür zum nachträglichen Einbau

TT7.30 pressure door

Maßblatt

Projekt project	Dimension Sheet	Masstab scale	Nummer number	Blatt sheet
		1:20	50064150	3/3